

Type 1001T Panel Gauge



FEATURES

- Available in 1½", 2", 2½" and 3½" dial sizes
- Standard panel-mounting with U-clamp design — front flange mounting available for 2" and 2½" gauges
- Attractively designed ¼ turn polycarbonate window for better visibility and easy removal
- Patented PowerFlex™ movement with polyester segment
- True Zero™ indication, a unique safety feature

Ashcroft® panel gauges offer attractive design, excellent readability and a variety of dial sizes with a broad pressure range selection.

These gauges utilize a U-clamp mounting design. An optional front flange mounting design is available in 2" and 2½" gauges.

Ashcroft panel gauges are available in a black steel case with a ¼-turn threaded polycarbonate window.

The patented Ashcroft PowerFlex™ movement incorporated in these gauges resists the effects of shock, pulsation and vibration.

True Zero™ indication, a unique safety feature standard on these gauges, is the accurate indication of zero pressure being applied to the gauge. In addition to the increased safety benefits, this means reduced inspection and manufacturing costs for you or your customer.

COMMONLY USED ON

Instrument panels, air conditioning equipment, air and gas dryers, compressors, pressure test stands, machine tools, a variety of other applications

PRODUCT SPECIFICATIONS

Ashcroft® Model No.: 1001T

Size:	1½", 2", 2½", 3½"
Case:	Black-painted steel
Mounting:	U-clamp (UC)
Window:	¼-turn threaded polycarbonate
Dial:	Black figures on white background, aluminum
Pointer:	Black, aluminum
Bourdon Tube:	C-shape bronze (2"–3½", vacuum–600 psi and compound; 1½", vacuum–1000 psi) Helical bronze (2"–3½", 1000–6000 psi)
Movement:	Patented PowerFlex™ with polyester segment
Socket:	Brass
Restrictor:	.013" orifice throttle plug in gauges 1000 psi and above.
Connections:	¼ NPT and ¼ NPT Back 1½" not available in ¼ NPT
Ranges:	Vacuum-6000 psi and compound (1½" available in Vacuum - 1000 psi only)
Accuracy:	ASME B40.100, Grade B, ±3-2-3%
Operating Temperature:	–40° F to 150° F –40° C to 65° C

OPTIONAL FEATURES

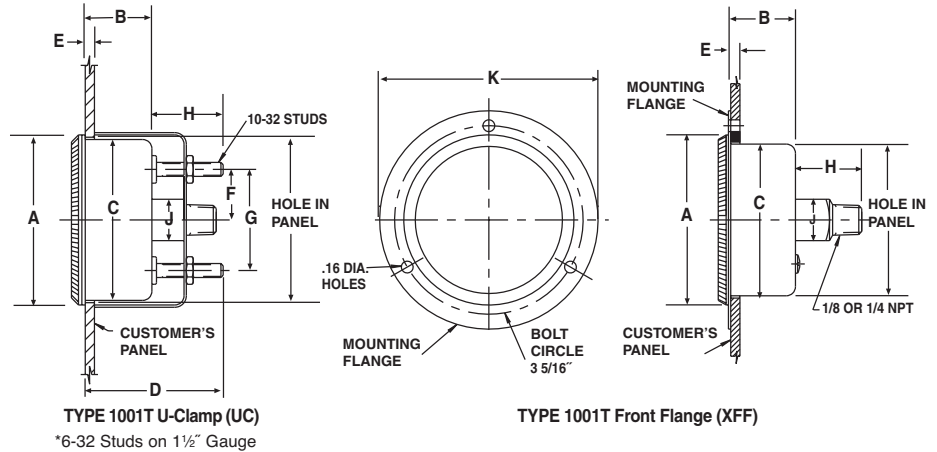
Case:	Vent hole (VH)
Mounting:	Front flange (FF) (available in 2" and 2½" only)
Window:	Simulated chrome trim (KL)
Pointer:	Adjustable (AP) Min-Max (EP)
Socket:	Nonstandard length or thread Throttle plugs – 0.007", 0.013", 0.020", and 0.063" orifices Teflon taped (TC)
Others:	Bulk pack (ZO), customized dials, nonstandard ranges, special calibration on application FlutterGuard™

HOW TO ORDER (Typical example)

		20	W	1001	T	H	02B	XUC	100#
Dial Size: 2"									
Movement: Patented PowerFlex™									
Case Type Number: 1001									
Window: ¼ Turn									
Connection Material: Brass									
Connection Size/Location: ¼ NPT Back									
Option: U Clamp Assembly									
Range: 100 psi									

Type 1001T Panel Gauge

DIMENSIONS



Case Type 1001T (UC)													
INCHES MM	A	B	C	D	E	F	G	H	J	K	L	Conn. NPT	Weight oz / kg
1 1/2"	1.85 (47)	0.85 (22)	1.60 (41)	1.23 (31)	0.13 (3)	0.56 (14)	1.13 (29)	0.67 (17)	7/16 sq. (11)	-	-	1/8	2.12 oz 0.060 kg
2"	2.30 (59)	0.94 (24)	2.06 (52)	1.94 (49)	0.17 (4)	0.69 (18)	1.38 (35)	0.88 (22)	9/16 sq. (14)	-	-	1/8 or 1/4	5.36 oz 0.152 kg
2 1/2"	2.87 (73)	0.97 (25)	2.57 (65)	1.97 (50)	0.17 (4)	1.00 (25)	2.00 (51)	0.88 (22)	9/16 sq. (14)	-	-	1/8 or 1/4	6.91 oz 0.196 kg
3 1/2"	3.96 (101)	1.00 (25)	3.61 (92)	1.75 (44)	0.20 (5)	1.53 (39)	3.06 (78)	0.88 (22)	9/16 sq. (14)	-	-	1/8 or 1/4	8.40 oz 0.238 kg
Case Type 1001T (XFF)													
2"	2.30 (59)	0.88 (22)	2.06 (52)	-	0.17 (4)	-	-	0.88 (22)	9/16 sq. (14)	2.95 (75)	2.56 (65)	1/8 or 1/4	4.23 oz 0.120 kg
2 1/2"	2.87 (73)	0.97 (25)	2.59 (66)	-	0.17 (4)	-	-	0.86 (22)	9/16 sq. (14)	3.69 (94)	3.31 (84)	1/8 or 1/4	5.64 oz 0.160 kg

Hole Diameter			
Panel Cut-out	Min. Inches (mm)	Max. Inches (mm)	Max. Panel Thickness
1 1/2" Gauge	1.625" (41.3)	1.750" (44.5)	1/8" (3.2)
2" Gauge	2.094" (53.2)	2.219" (56.4)	7/16" (11.0)
2 1/2" Gauge	2.609" (66.3)	2.750" (69.9)	7/16" (11.0)
3 1/2" Gauge	3.625" (92.1)	3.812" (96.8)	7/16" (11.0)